

THE PROPERTY OF THE DRAWING IS ESTABLISHED BY LAW  
IT IS FORBIDDEN TO PRODUCE OR SHOW IT TO THIRD PART  
WITHOUT A WRITTEN AGREEMENT.

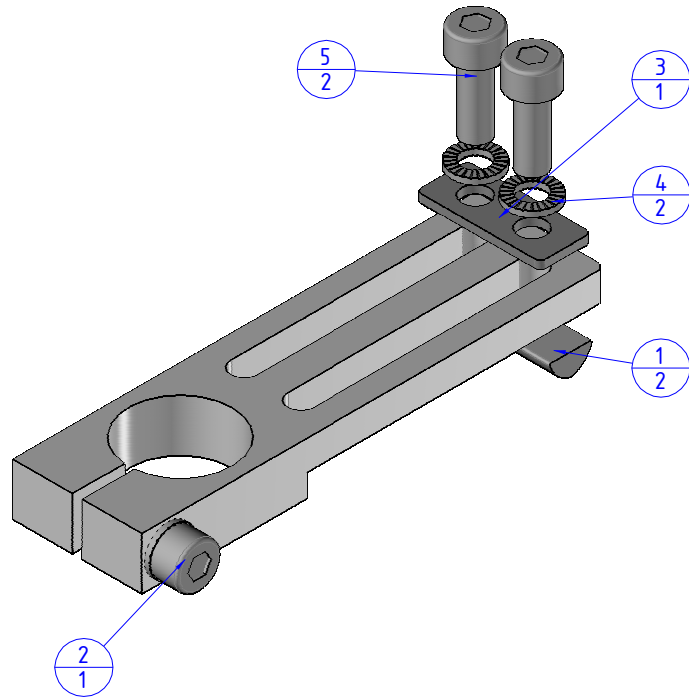
MODIFICAZIONI VARIETÀ DIMENSIONI E DATE

7	10
8	11
9	12

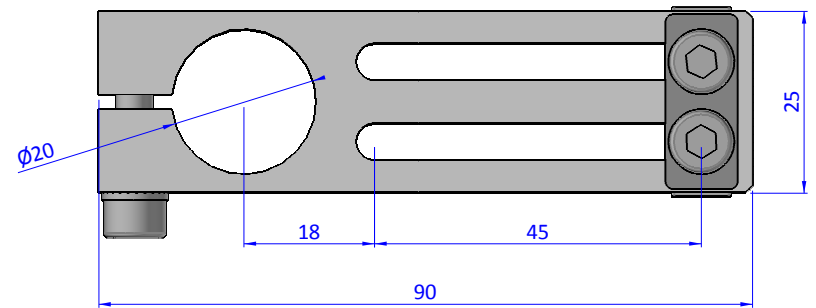
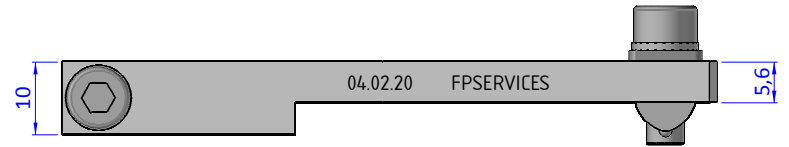
MODIFICAZIONI VARIETÀ DIMENSIONI E DATE

1	4
2	5
3	6

Format A3  
UNI 936-76



Object Number	Name	QTY
1	CA.02.05.003	2
2	CA.04.02.20	1
3	R.05.11	1
4	R.5.SCH	2
5	V-trei M 5 x 14	2



		DESIGNED FROM FPSERVICES	
		DATE 13/05/2016	WEIGHT 0,05kg
GENERAL TOLERANCE UNI - ISO 2768 CLASSE f	DESCRIPTION CA.04.02.20.5	CODE CA.04.02.20.5	